

TM-PCA150

15.0" XGA Panel mount Industrial Monitor; 1 HDMI, 1 DP, 1 VGA, 1 DVI; Pcap. Touchscreen; Front IP65

Version: 3.2



Features:

- Modular designed, aluminum-magnesium alloy, anodized treated;
- 15.0" TFT LCD Display, LED Backlit, XGA 1024*768;
- Multi up to 10 points Pcap. touchscreen, EETI controller;
- USB touch interface, optional RS232 touch interface;
- DC 12V power input, optional wide DC 9 ~36v input;
- Multiple signal inputs: 1 HDMI, 1 DP, 1 VGA, 1 DVI;
- Panel mount, VESA 75/100 mount, Front IP65 rated protection
- Optional outdoor high brightness and optical bonding features.

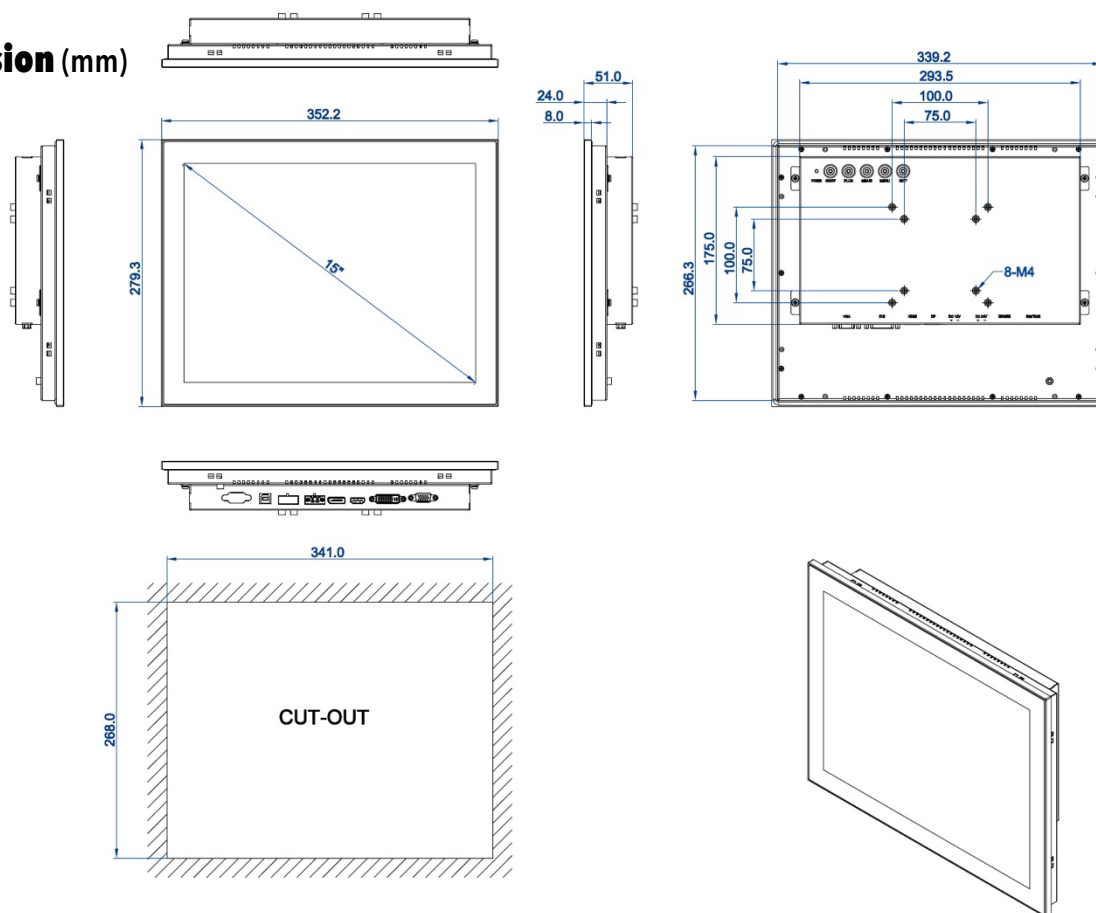


Specification

Basic	Front Panel	Magnesium-aluminum alloy, anodized treatment
	Rear Panel	SGCC Plate sheet, sand-blasting
	Control Button	OSD button on top of backside
	Signal Input	1 VGA, 1 DVI, 1 HDMI, 1 DP
	Mount Method	Panel mount, VESA 75/100
	Overall Dimension	352.2 * 279.3 * 51 (mm)
	Cut-out Dimension	341 * 268 (mm)
	Net Weight	3.1 KG
	IP Rate	Front Surface IP65 water-proof/Dust-proof
LCD Display	Size/Type	15.0" TFT LCD Display
	Resolution	1024 * 768 (XGA)
	Brightness	350 nits
	Contrast Ratio	2500:1
	Backlit & Lifetime	LED Backlit & 70K hours
	Display Area	304.1 * 228.1 (mm)
	View Angle	88/88/88/88
Touchscreen	Type	Projective capacitive touchscreen
	Touch points	Multi points touch, max. up to 10 points
	Durability	>100 000 000 times
	Surface Hardness	MOHS 6H
	Touch Controller	EETI
	Touch Interface	USB touch (Optional RS232 touch interface)
	Special Treatment	Anti-Fingerprint (AF)
Power & Environmental	Operating temp.	-30 ~ + 70 (°C)
	Storage temp.	-40 ~ + 70 (°C)
	Humidity	10 ~ 95% @ 10C (No condensation)
	Vibration	50 ~ 500 Hz, 1.5G, 0.15mm peak to peak
	Shock	10G/Peak (11 ms)
	Power input	DC 12V (Optional wide voltage DC 9~36V)
	Power consumption	About 20W
	Certificate	CE/FCC/ROHS

DIMENSIONAL DRAWING:TM-PCA150

Dimension (mm)



DIMENSIONS IN MILLIMETERS

TAICENN
DATE:2020.12.14
REV:A Unit:mm

Ordering information

Part no.	Description
TM-PCA150	15.0" LCD, XGA 1024 *768, Pcap. Touch, USB Touch Interface, 1 HDMI, 1 DVI, 1 VGA, 1 DP, DC 12V, PSU
TM-PCA150S	15.0" LCD, XGA 1024 *768, Pcap. Touch, RS232 Touch Interface , 1 HDMI, 1 DVI, 1 VGA, 1 DP, DC 12V, PSU
TM-PCA150W	15.0" LCD, XGA 1024 *768, Pcap. Touch, USB Touch Interface, 1 HDMI, 1 DVI, 1 VGA, 1 DP, DC 9~36V, No PSU by default
TM-PCA150L	15.0" LCD, XGA 1024 *768, High brightness option , Pcap. Touch, USB Touch Interface, 1 HDMI, 1 DVI, 1 VGA, 1 DP, DC 12V, PSU
TM-PCA150L-OB	15.0" LCD, XGA 1024 *768, High brightness & optical bonding , Pcap. Touch, USB Touch Interface, 1 HDMI, 1 DVI, 1 VGA, 1 DP, DC 12V, PSU
Optional Accessories	Description
HDMI Cable	HDMI Cable, around 2.0m length
DP Cable	DP Cable, around 2.0m length
DVI Cable	DVI Cable, around 2.0m length
PSU	40W PSU (Extra for TM-PCA150W model)
COM Cable	COM cable, around 1.8m length (For TM-PCA150S model)

Packing List

Description	Quantity	Description	Quantity
Standard TM-PCA150	1 piece	VGA Cable, around 1.8m length	1 piece
40W PSU	1 set	Power Cable & Plug	1 set
USB Touch Cable, around 1.8m length	1 piece	Panel mount metal clips	1 set (8 pieces)