

# TM-PCA185H

**Wide 18.5" FHD Panel mount Industrial Monitor; 1 VGA, 1 HDMI, 1 DP, 1 DVI; Pcap. Touch; Front IP65 rated**

Version: 3.2



## Features:

- Modular designed, aluminum-magnesium alloy, anodized treated;
- Wide 18.5" TFT LCD Display, WLED Backlit, WXGA 1366\*768;
- Multi up to 10 points Pcap. touchscreen, EETI controller;
- USB touch interface, optional RS232 touch interface;
- DC 12V power input, optional wide DC 9 ~36v input;
- Multiple signal inputs: 1 HDMI, 1 DP, 1 VGA, 1 DVI;
- Panel mount, VESA 75/100 mount, Front IP65 rated protection
- Optional outdoor high brightness and optical bonding features.

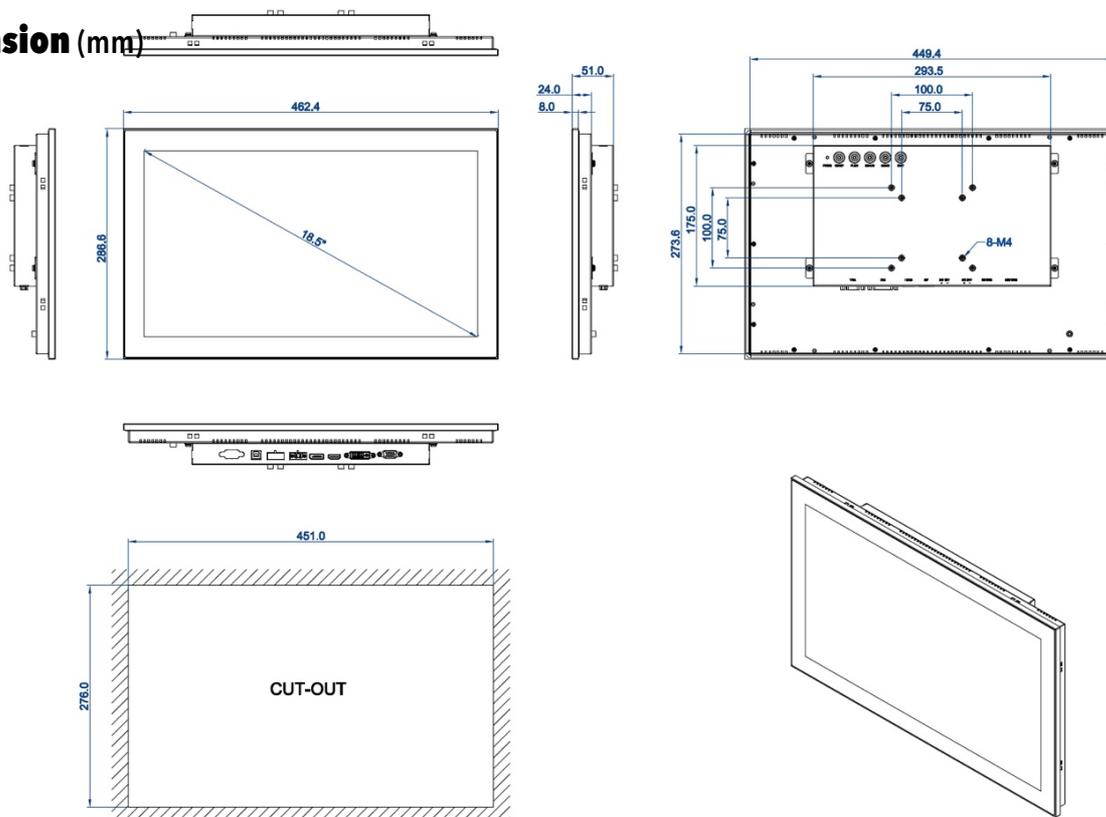
## Specification



<b>Basic</b>	Front Panel	Magnesium-aluminum alloy, anodized treatment
	Rear Panel	SGCC Plate sheet, sand-blasting
	Control Button	OSD button on top of backside
	Signal Input	1 VGA, 1 DVI, 1 HDMI, 1 DP
	Mount Method	Panel mount, VESA 75/100
	Overall Dimension	462.4 * 286.6 * 51.0 (mm)
	Cut-out Dimension	451 * 276 (mm)
	Net Weight	4.6 KG
	IP Rate	Front Surface IP65 water-proof/Dust-proof
<b>LCD Display</b>	Size/Type	18.5" TFT LCD Display
	Resolution	1920 * 1080 (FHD)
	Brightness	350 nits
	Contrast Ratio	1000:1
	Backlit & Lifetime	WLED Backlit & 50K hours
	Display Area	408.96 * 230.04
	View Angle	85/85/85/85
<b>Touchscreen</b>	Type	Projective capacitive touchscreen
	Touch points	Multi points touch, max. up to 10 points
	Durability	>100 000 000 times
	Surface Hardness	MOHS 6H
	Touch Controller	EETI
	Touch Interface	USB touch (Optional RS232 touch interface)
	Special Treatment	Anti-Fingerprint (AF)
<b>Power &amp; Environmental</b>	Operating temp.	-20 ~ + 70 (°C)
	Storage temp.	-30 ~ + 80 (°C)
	Humidity	10 ~ 95% @ 10C (No condensation)
	Vibration	50 ~ 500 Hz, 1.5G, 0.15mm peak to peak
	Shock	10G/Peak (11 ms)
	Power input	DC 12V (Optional wide voltage DC 9~36V)
	Power consumption	About 20W
	Certificate	CE/FCC/ROHS

DIMENSIONAL DRAWING:TM-PCA185

## Dimension (mm)



DIMENSIONS IN MILLIMETERS

**TAICEM**  
DATE:2020.12.15  
REV:A Unit:mm

## Ordering information

Part no.	Description
TM-PCA185H	18.5" LCD, FHD 1920 *1080, Pcap. Touch, USB Touch Interface, 1 HDMI, 1 DVI, 1 VGA, 1 DP, DC 12V, PSU
TM-PCA185HS	18.5" LCD, FHD 1920 *1080, Pcap. Touch, <b>RS232 Touch Interface</b> , 1 HDMI, 1 DVI, 1 VGA, 1 DP, DC 12V, PSU
TM-PCA185HW	18.5" LCD, FHD 1920 *1080, Pcap. Touch, USB Touch Interface, 1 HDMI, 1 DVI, 1 VGA, 1 DP, <b>DC 9~36V, No PSU by default</b>
TM-PCA185HL	18.5" LCD, FHD 1920 *1080, <b>High brightness option</b> , Pcap. Touch, USB Touch Interface, 1 HDMI, 1 DVI, 1 VGA, 1 DP, DC 12V, PSU
TM-PCA185HL-OB	18.5" LCD, FHD 1920 *1080, <b>High brightness &amp; optical bonding</b> , Pcap. Touch, USB Touch Interface, 1 HDMI, 1 DVI, 1 VGA, 1 DP, DC 12V, PSU
Optional Accessories	Description
HDMI Cable	HDMI Cable, around 2.0m length
DP Cable	DP Cable, around 2.0m length
DVI Cable	DVI Cable, around 2.0m length
PSU	40W PSU (Extra for TM-PCA185HW model)
COM Cable	COM cable, around 1.8m length (For TM-PCA185HS model)

## Packing List

Description	Quantity	Description	Quantity
Standard TM-PCA185H	1 piece	VGA Cable, around 1.8m length	1 piece
40W PSU	1 set	Power Cable & Plug	1 set
USB Touch Cable, around 1.8m length	1 piece	Panel mount metal clips	1 set (8 pieces)