



### Features:

- Modular designed, aluminum-magnesium alloy, anodized treated;
- 10.1" TFT LCD Display, LED Backlit, WXGA 1280\*800;
- High temp. 5-wires Resistive touchscreen, EETI controller;
- USB touch interface, optional RS232 touch interface;
- DC 12V power input, optional wide DC 9 ~36v input;
- Dual signal inputs: 1 VGA, 1 DVI;
- Panel mount, VESA 75/100 mount, Front IP65 rated protection
- Optional outdoor high brightness and optical bonding features.

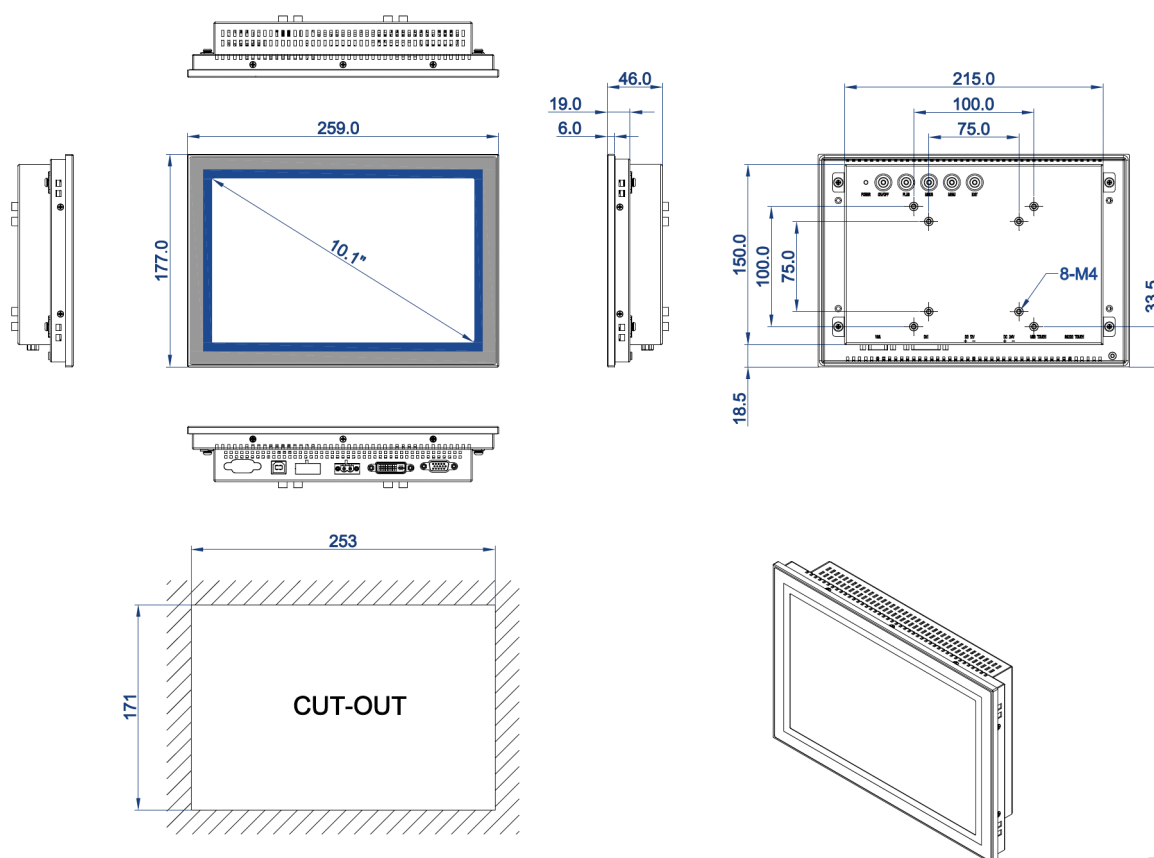
### Specification



|                                  |                    |  |
|----------------------------------|--------------------|--|
| <b>Basic</b>                     | Front Panel        | Magnesium-aluminum alloy, anodized treatment       |
|                                  | Rear Panel         | SGCC Plate sheet, sand-blasting                    |
|                                  | Control Button     | OSD button on top of backside                      |
|                                  | Signal Input       | 1 VGA, 1 DVI                                       |
|                                  | Mount Method       | Panel mount, VESA 75/100                           |
|                                  | Overall Dimension  | 259.0 * 177.0 * 46.0 (mm)                          |
|                                  | Cut-out Dimension  | 253 * 171 (mm)                                     |
|                                  | Net Weight         | 2.4KG  |
|                                  | IP Rate            | Front Surface IP65 water-proof/Dust-proof          |
| <b>LCD Display</b>               | Size/Type          | 10.1" TFT LCD Display                              |
|                                  | Resolution         | 1280 * 800 (WXGA)                                  |
|                                  | Brightness         | 350 nits   |
|                                  | Contrast Ratio     | 800:1  |
|                                  | Backlit & Lifetime | LED Backlit & 30K hours                            |
|                                  | Display Area       | 216.96 * 135.6 (mm)                                |
|                                  | View Angle         | 85/85/85/85  |
| <b>Touchscreen</b>               | Type               | High temp. 5-wires precision resistive touchscreen |
|                                  | Click Life         | 35 million times /250g                             |
|                                  | Draw Life          | 5 million times /250g                              |
|                                  | Surface Hardness   | MOHS 6H  |
|                                  | Touch Controller   | EETI   |
|                                  | Touch Interface    | USB touch (Optional RS232 touch interface)         |
|                                  | Special Treatment  | PET film laminated (Flat design)                   |
| <b>Power &amp; Environmental</b> | Operating temp.    | -20 ~ + 70 (°C)                                    |
|                                  | Storage temp.      | -30 ~ + 70 (°C)                                    |
|                                  | Humidity           | 10 ~ 95% @ 10C (No condensation)                   |
|                                  | Vibration          | 50 ~ 500 Hz, 1.5G, 0.15mm peak to peak             |
|                                  | Shock              | 10G/Peak (11 ms)                                   |
|                                  | Power input        | DC 12V (Optional wide voltage DC 9~36V)            |
|                                  | Power consumption  | About 10W  |
|                                  | Certificate        | CE/FCC/ROHS  |

## Dimension

DIMENSIONAL DRAWING:TM-PR101



DIMENSIONS IN MILLIMETERS

**TAICENN**  
DATE:2023.11.23  
REV:A Unit:mm

## Ordering information

| Part no.             | Description   |
|----------------------|---|
| TM-PR101             | 10.1" LCD, WXGA 1280 *800, Resistive Touch, USB Touch Interface, 1 VGA, 1 DVI, DC 12V, PSU  |
| TM-PR101S            | 10.1" LCD, WXGA 1280 *800, Resistive Touch, <b>RS232 Touch Interface</b> , 1 VGA, 1 DVI, DC 12V, PSU                                      |
| TM-PR101W            | 10.1" LCD, WXGA 1280 *800, Resistive Touch, USB Touch Interface, 1 VGA, 1 DVI, <b>DC 9~36V, No PSU by default</b>                         |
| TM-PR101L            | 10.1" LCD, WXGA 1280 *800, <b>High brightness option</b> , Resistive Touch, USB Touch Interface, 1 VGA, 1 DVI, DC 12V, PSU                |
| TM-PR101L-OB         | 10.1" LCD, WXGA 1280 *800, <b>High brightness &amp; optical bonding</b> , Resistive Touch, USB Touch Interface, 1 VGA, 1 DVI, DC 12V, PSU |
| Optional Accessories | Description   |
| HDMI Cable           | HDMI-DVI Cable, around 2.0m length  |
| DVI Cable            | DVI Cable, around 2.0m length   |
| PSU                  | 40W PSU (Extra for TM-PR101W model)   |
| COM Cable            | COM cable, around 1.8m length (For TM-PR101S model)   |

## Packing List

| Description                         | Quantity | Description                   | Quantity         |
|-------------------------------------|----------|-------------------------------|------------------|
| Standard TM-PR101                   | 1 piece  | VGA Cable, around 1.8m length | 1 piece          |
| 40W PSU                             | 1 set    | Power Cable & Plug            | 1 set            |
| USB Touch Cable, around 1.8m length | 1 piece  | Panel mount metal clips       | 1 set (8 pieces) |