

# TAICENN

## TPC-PC190A

19.0" Intel Apollo lake J3455/J3355 P-CAP touch Panel mounting Panel PC

### Specification

Version 2.0

#### Key features:

- 19.0" Projective capacitive multi-point touch;
- Intel Apollo lake J3455/J3355 processor;
- Impact, fan-less design, Finned heat sink;
- 2 \* Intel GLAN, and 1\* 2.5" SATA + 1\* mSATA;
- **Optional** precision high-temp. Five wires Resistive touch;
- **Optional** No-touch function, with Glass.

#### Product Image



## Brief Introduction

TAICENN TPC-PC190A series is a low power-consumption, Fan-less designed, enhanced stability and reliability industrial 19.0-inch Touch Panel PC product. It adapts Intel Apollo lake J3455/J3355 processor. TPC-PC190A series storage can support 2.5" SATA and mSATA interface, HDD or SSD. The design uses a multi-point (10- points) projective capacitive touch screen (Optional with high-temp. five-wires resistive touch, or No touch), and it can fulfill front panel NEMA/IP65 dust-proof and water-proof standards.

The TPC-PC190A uses full-sealed box construction, and it can prevent dust from entering the device system.

The TAICENN TPC-PC190A is compatible with Win10, Linux OS, and it also has a good compatibility with customized applications and software programs.

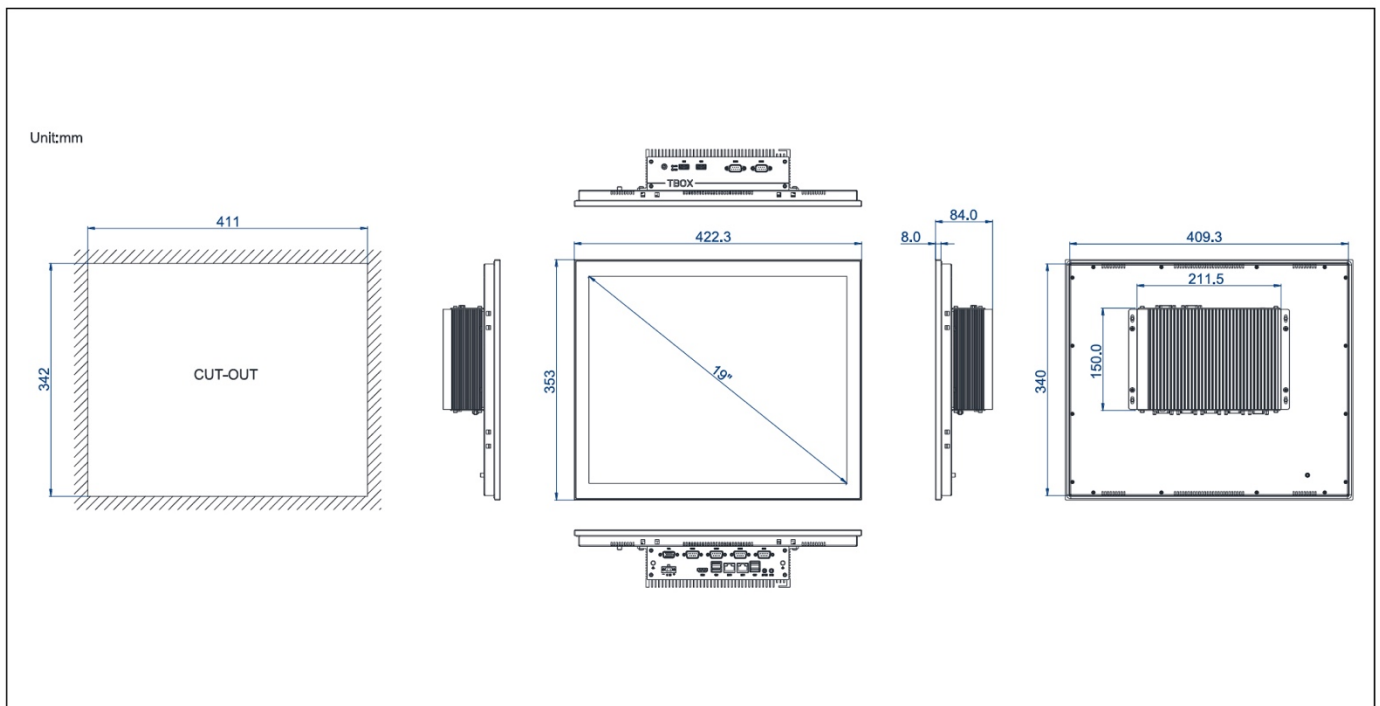
## Technical Data

Model Item	TPC-PC190A1	TPC-PC190A2
<b>System</b>		
BIOS	SPI AMI EFI BIOS	
CPU	Intel Celeron J3455	Intel Celeron J3355
CPU Ghz	Quad-core Four threads, 1.5Ghz	Dual-core Two threads, 2.0Ghz
Memory	SO-DIMM, DDR3L, Max. up to 8GB	
Graphic card	Intel HD Graphics 500	
Network	2*Intel I211AT, expansion with Wifi/3G/4G	
Storage	1x 2.5" SATA + 1x mSATA	
Audio	Realtek ACL 269 controller	
Watch dog	Programmable 1~255 seconds	
Operating System	Win 10, Linux, Unix	
<b>I/O</b>		
Network	2x RJ45, 10/100/1000 Mbps	
USB	2x USB 2.0 + 4x USB 3.0	
COM	6x RS232 (Surge and electrostatic protection) COM4/5 support RS232/RS485 COM6 support RS232/TTL	
Audio	Line-In, Line-Out	
Display	1*VGA, 1*HDMI	
Power Input	1*2 pins, phoenix terminal	
<b>LCD</b>		
Size/Type	19.0" TFT LCD	
Resolution	1280 * 1024 (XGA)	
Brightness	250 (cd/m <sup>2</sup> )	

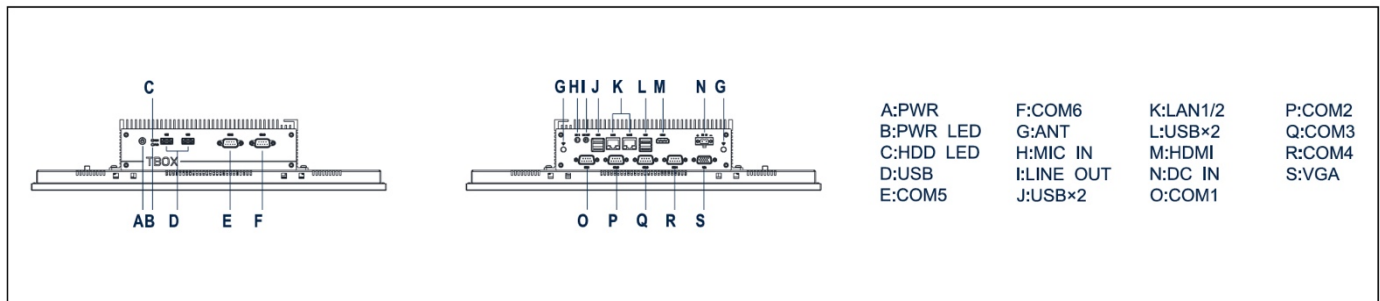
Brightness MTBF	WLED, 30 000 hours
Display area	376.32 x 301.056 mm (H*V)
Viewing angle	85/85/80/80 (Typ.)
<b>TOUCH</b>	
Type	Projective capacitive (P-cap.)
Interface	USB
Transparency	>90±3%
Touch points	10 Points
Durability	>100 000 000 times
Surface hardness	Mohs 6H
Operating force	≤10g
Special treatment	Anti-finger treatment (AF)
<b>Optional Resistive touch</b>	
Type	High-temp. precision 5 wires Resistive touch
Interface	USB (Optional RS232)
Transmittance	>80±3%
Resolution	4096 x 4096
Click life	250g/ 35 000 000 times
Response time	<15ms
Operating force	≤50g
Surface treatment	PET film laminated
Surface hardness	>Mohs 3H
<b>Structure</b>	
Front Panel	Magnesium-aluminum alloy, Anodizing treatment
Back Panel	SGCC Galvanized plate sheet, Sand-blasting
Cooling System	Finned aluminum heatsinks, fan-less design
IP rating	IP65 front panel
Mounting	Panel mounting, support VESA 75/100
Hole dimension	411 x 342 mm (W*H)
Product Dimension	422.3 x 353 x 84 mm (W*H*D)
Net weight	6 KG
<b>Power and Environmental</b>	
Voltage Input	DC 12V (Over-current, Over-voltage and reverse polarity protection)
Power Consumption	About 35 W
Working temperature	0°C~+50 °C

Storage temperature	-20°C~+60 °C
Relative humidity	10~95%@10°C ( No condensation )
Vibration	50~500Hz,1.5G,0.15mm peak to peak
Shock	10G/peak ( 11ms sec )

## Dimension



## I/O definition



## Ordering Information

TPC-PC190A1	19.0", 1280*1024, Intel Celeron J3455, 4*USB3.0+2*USB2.0, 6*RS232, <b>PCAP TOUCH</b> , 2*GLAN, DC 12V Adapter
TPC-PC190A2	19.0", 1280*1024, Intel Celeron J3355, 4*USB3.0+2*USB2.0, 6*RS232, <b>PCAP TOUCH</b> , 2*GLAN, DC 12V Adapter
TPC-PR190A1	19.0", 1280*1024, Intel Celeron J3455, 4*USB3.0+2*USB2.0, 6*RS232, <b>Resistive TOUCH</b> , 2*GLAN, DC 12V Adapter
TPC-PR190A2	19.0", 1280*1024, Intel Celeron J3355, 4*USB3.0+2*USB2.0, 6*RS232, <b>Resistive TOUCH</b> , 2*GLAN, DC 12V Adapter
TPC-PG190A1	19.0", 1280*1024, Intel Celeron J3455, 4*USB3.0+2*USB2.0, 6*RS232, <b>No TOUCH</b> , 2*GLAN, DC 12V Adapter
TPC-PG190A2	19.0", 1280*1024, Intel Celeron J3355, 4*USB3.0+2*USB2.0, 6*RS232, <b>No TOUCH</b> , 2*GLAN, DC 12V Adapter
Memory	SO-DDR3L 2G/4G/8G
Storage	SSD: 16GB/32GB/64GB/128GB/256GB/512GB/1TB HDD: 500GB/1TB
Wireless module	WIFI: 802.11 b/g/n Mini PCIe 3G/4G/LTE: All network module
Bracket	TPC-PC Series VESA bracket

## TAICENN Technology

*TAICENN, is a leading global **solution provider** of Embedded Box IPC, Touch panel IPC and industrial monitor, which are designed specifically for systems and applications that require excellent performance, high-level reliability and stability, long supply period and supports.*

The information in this specification is subject to change without notice

All parts of TAICENN Technology documentation are protected by copyright law and all rights are reserved. This documentation may not, in whole or in part, be copied, photocopied, reproduced, translated, or reduced to any electronic medium or machine-readable form without prior consent, in writing, from TAICENN Technology.