

# TM-PC185

18.5" PCAP touch panel mounting Industrial monitor

## Specification

V2.0

### Key features:

- 18.5" TFT LCD, LED backlit, Resolution 1366 x 768;
- Projective capacitive multi-point (10-points) touch;
- Aluminum-magnesium alloy, anodic treatment;
- Multi DVI+VGA Signal input;
- Panel mounting and VESA mounting;
- Optional No-touch function, with Glass;

### Product Image



## Brief Introduction

TAICENN TM-PC185 series is an enhanced stability and reliability industrial 18.5-inch **panel mounting** P-cap. Touch monitor product. The design uses a multi-point (10- points) projective capacitive touch screen, and it can fulfill front panel NEMA/IP65 dust-proof and water-proof standards.

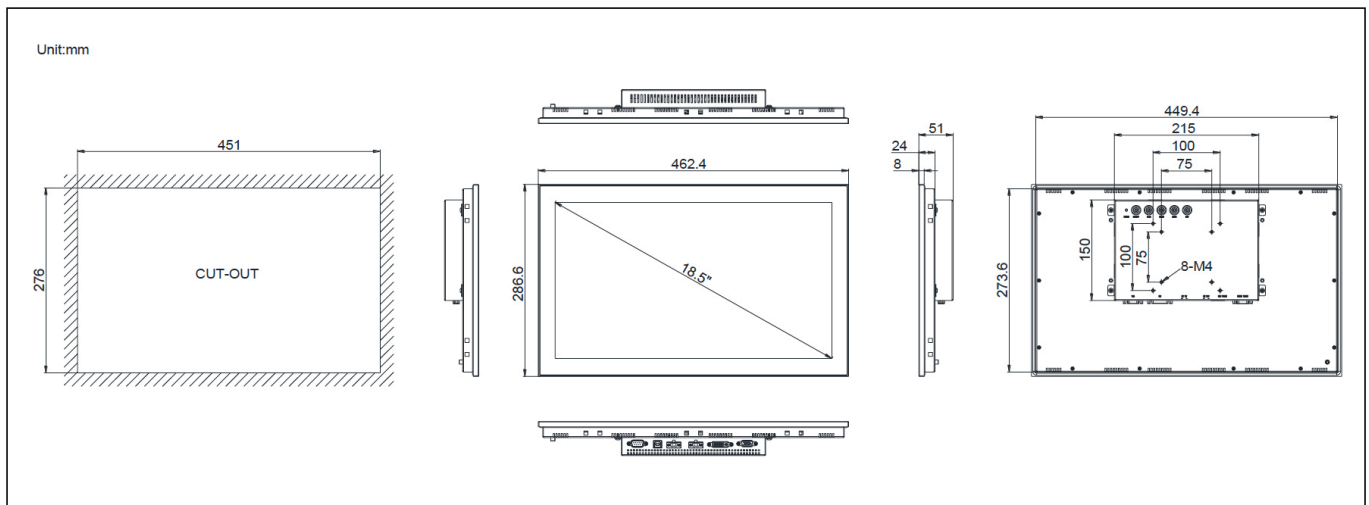
The TM-PC185 uses full-sealed box construction, and its front panel complaints NEMA / IP65 waterproof and dust-proof standard, to prevent installation in the control cabinet because of the scene splashing water droplets and water vapor into the host and thus affect equipment operation; high-strength steel box structure, so that it can adapt to the harsh industrial site work environment, the most suitable for factory automation, machinery manufacturing, CNC equipment, textile equipment, communication networks, power automation and other industrial applications.

## Technical Data

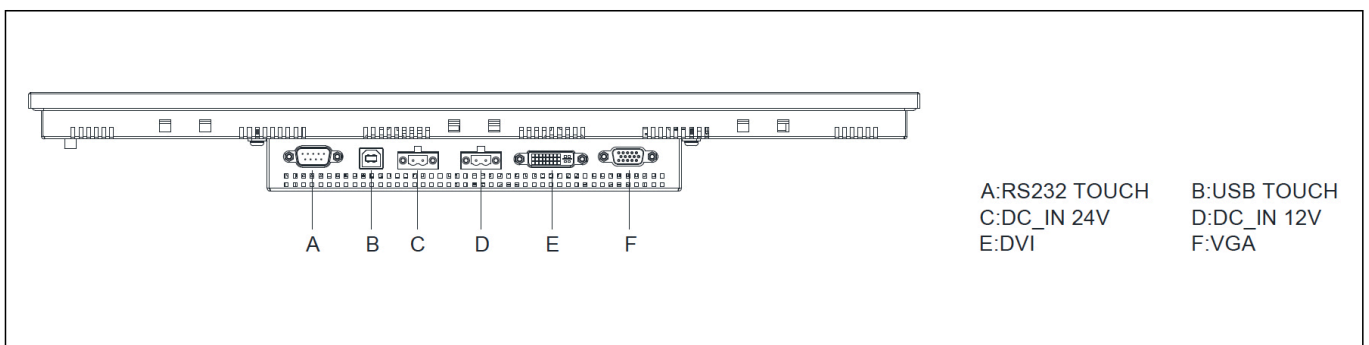
Basic Parameter	
Button	OSD Button in back panel
Overall Dimension	462.4 x 286.6 x 51mm (W*H*D)
Hole Dimension	451 x 276 mm (W*H)
Structure	Front Panel: Aluminum-magnesium alloy, anodic treatment Back panel: SGCC
Mounting	Panel Mounting, VESA 75/100
Display port	1*DVI,1*VGA
New weight	4 KG
LCD	
Size/Type	18.5" TFT LCD
Resolution	1366 * 768 (WXGA)
Backlit MTBF	WLED, 50 000 hours
Brightness	250 (cd/m <sup>2</sup> )
Display area	409.8 x 230.4 mm (H x V)
Contrast ratio	1000: 1 (Typ.)
Viewing angle	85/85/80/80 (Typ.)
TOUCH	
Type	Projective capacitive (P-cap.)
Interface	USB (Optional RS232)
Transparency	>90±3%
Touch points	Multi-points, Max. up to 10 Points
Durability	>100 000 000 times
Surface hardness	Mohs 6H

Operating force	≤10g
Special treatment	Anti-fingerprint treatment
<b>Power &amp; Environmental</b>	
Working temperature	0°C~+50 °C
Storage temperature	-20°C~+60 °C
Water Proof	IP65 rating in front panel
Relative humidity	10~95%@10°C ( No condensation )
Vibration	50~500Hz,1.5G,0.15mm peak to peak
Shock	10G/peak ( 11ms sec )
Power input	DC 12V or DC 24V
Power consumption	Around 20W
Certification	CE/ROHS/FCC

## Dimension



## Interface



## Ordering Information

Ordering Part no.	Description
TM-PC185	18.5" TFT LCD 1366*768/P-cap. Touch/ DVI/VGA/DC 12V/40W power adapter
TM-PC185W	18.5" TFT LCD 1366*768/P-cap. Touch/ DVI/VGA/DC 24V
TM-PG185	18.5" TFT LCD 1366*768/ Tempered glass/DVI/VGA/DC 12V/40W power adapter
TM-PG185W	18.5" TFT LCD 1366*768/ Tempered glass/DVI/VGA/DC 24V

## TAICENN Technology

*TAICENN, is a leading global **solution provider** of Embedded Box IPC, Touch panel IPC and industrial monitor, which are designed specifically for systems and applications that require excellent performance, high-level reliability and stability, long supply period and supports.*

*The information in this specification is subject to change without notice*

*All parts of TAICENN Technology documentation are protected by copyright law and all rights are reserved. This documentation may not, in whole or in part, be copied, photocopied, reproduced, translated, or reduced to any electronic medium or machine-readable form without prior consent, in writing, from TAICENN Technology.*